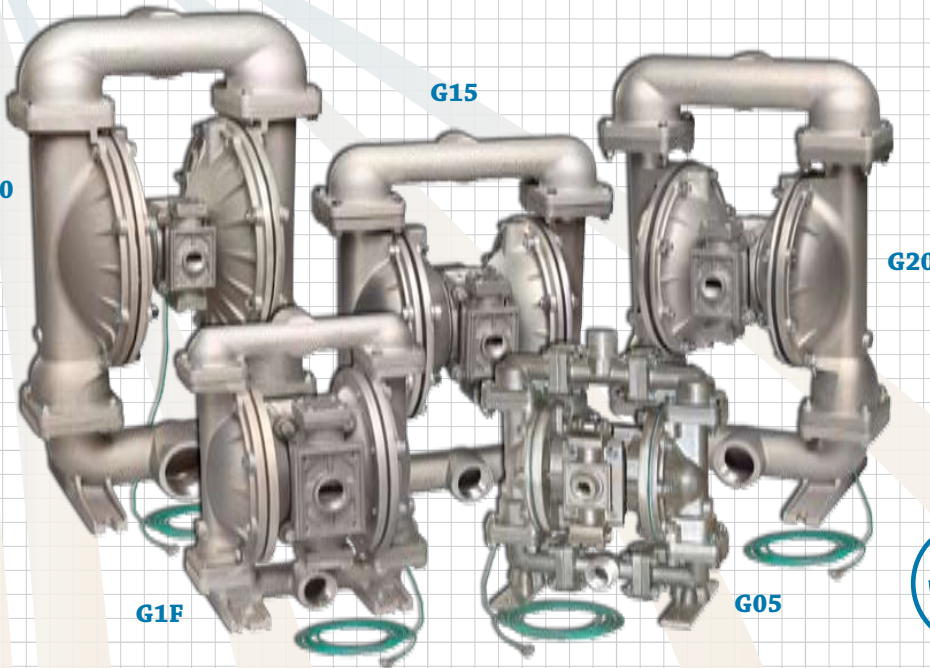
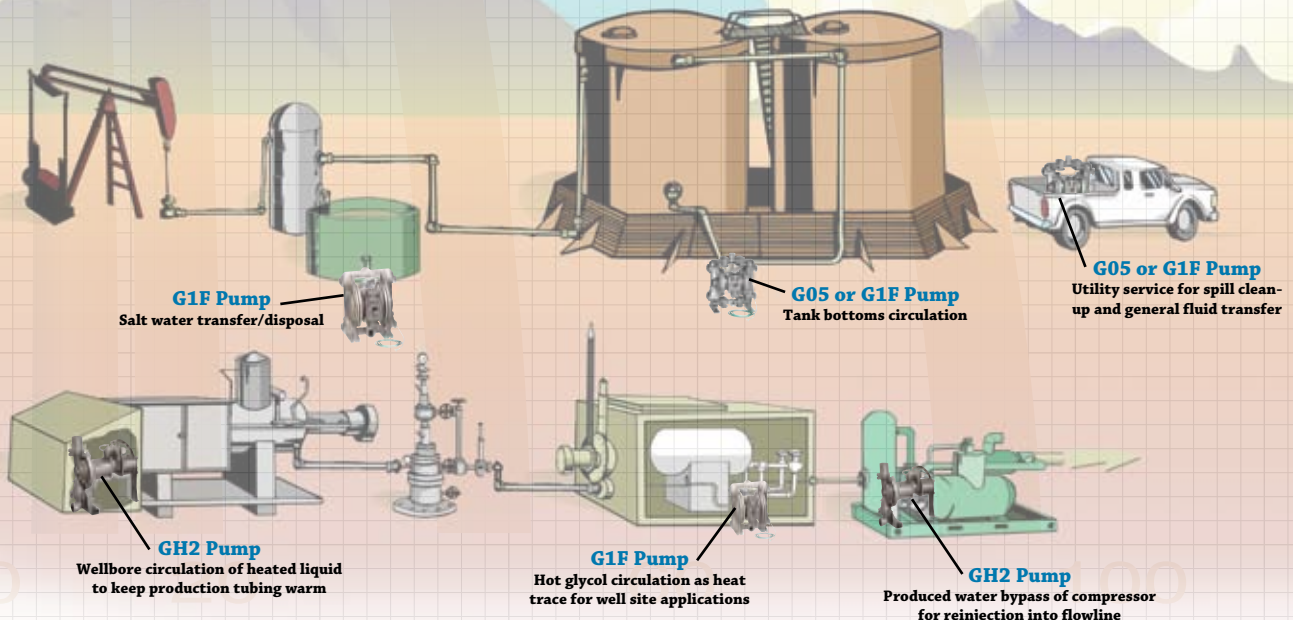


SPECIAL DUTY BALL - Natural Gas



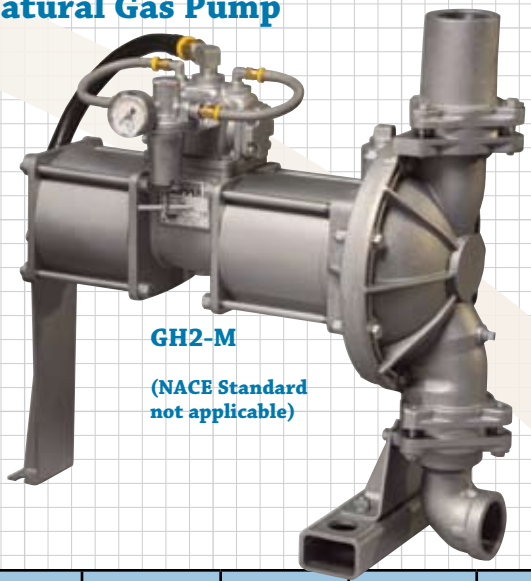
BURST PRESSURE TO 500 PSI (34.5 BAR)

Natural Gas Operated Pumps are CSA (Canadian Standards Association) certified for operation using sweet or sour natural gas. The pumps are also compliant with NACE Standard MR0175/ISO15156. The sweet gas pump utilizes Aluminum or 316 Stainless Steel wetted construction with Buna or Virgin PTFE diaphragms and check balls. The gas valve is constructed of Aluminum with Buna or FKM (fluorocarbon) elastomers. Pumps are fully groundable, preventing static discharge. A Stainless Steel gas valve option is available on G15 to G30 pumps for corrosive applications.

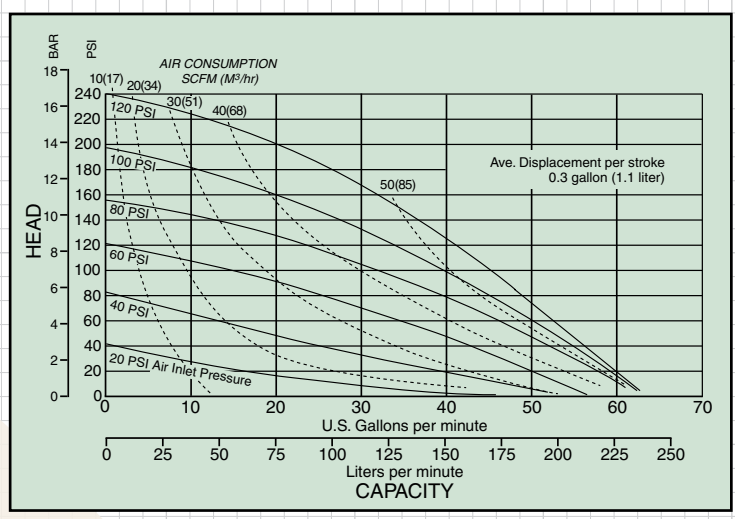


With more ways than one!

High Pressure Natural Gas Pump



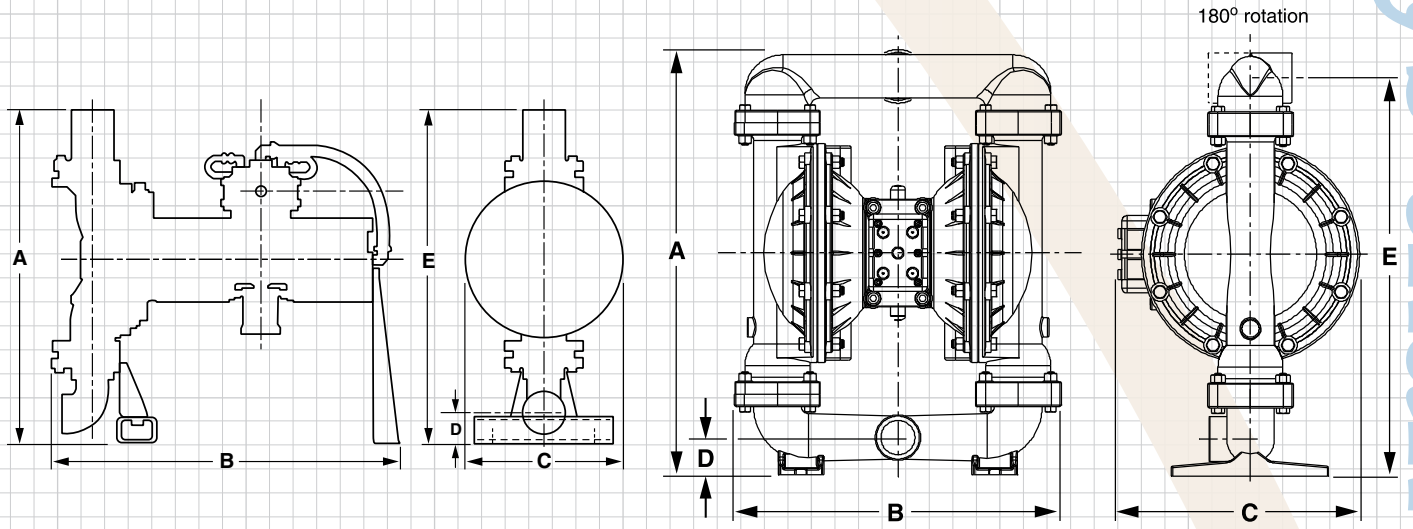
GH2-M
(NACE Standard not applicable)



GH2-M Performance Curve

PUMP MODELS	A	B	C	D		Connection Style	Pipe Size	Displacement Per Stroke	Max Flow Per Minute	Max Solids Handling	Max Discharge Pressure
	Height	Width	Depth	Bottom of Base to Center Line of:							
	inches (mm)	inches (mm)	inches (mm)	Suction	Discharge						
GH2-M	25 (635)	25 13/16 (656)	11 3/4 (298)	2 3/16 (56)	25 (635)	2" NPT	2 (50)	.30 (1.1)	62 (235)	.25 (6)	250 (17.2)

All Dimensions +/- 1/8 (3)



PUMP MODELS	A	B	C	D		Connection Style	Pipe Size	Displacement Per Stroke	Max Flow Per Minute	Max Solids Handling	Max Discharge Pressure
	Height	Width	Depth	Bottom of Base to Center Line of:							
	inches (mm)	inches (mm)	inches (mm)	Suction	Discharge						
G05	11 1/2 (292)	10 1/4 (260)	7 1/16 (179)	1 5/16 (33)	11 1/2 (292)	1" MNPT	.5 (13)	.026 (.098)	15 (57)	.125 (3)	125 (8.6)
G1F	12 23/32 (323)	10 1/4 (260)	10 3/8 (264)	1 3/32 (28)	11 27/32 (301)	1" NPT	1 (25)	.11 (.42)	45 (170)	.25 (6)	125 (8.6)
G15	21 37/64 (548)	16 21/32 (423)	12 23/64 (314)	1 29/32 (49)	20 5/16 (516)	1 1/2" NPT	1.5 (40)	.41 (4.55)	106 (401)	.25 (6)	125 (8.6)
G20	26 5/16 (668)	16 7/8 (428)	12 19/32 (320)	1 7/8 (48)	24 5/8 (625)	2" NPT	2 (50)	.42 (1.59)	150 (567)	.25 (6)	125 (8.6)
G30	32 1/16 (814)	19 21/32 (499)	15 3/4 (400)	2 11/32 (60)	29 31/32 (761)	3" NPT	3 (80)	.94 (3.56)	238 (901)	.38 (9.5)	125 (8.6)

All Dimensions +/- 1/8 (3)